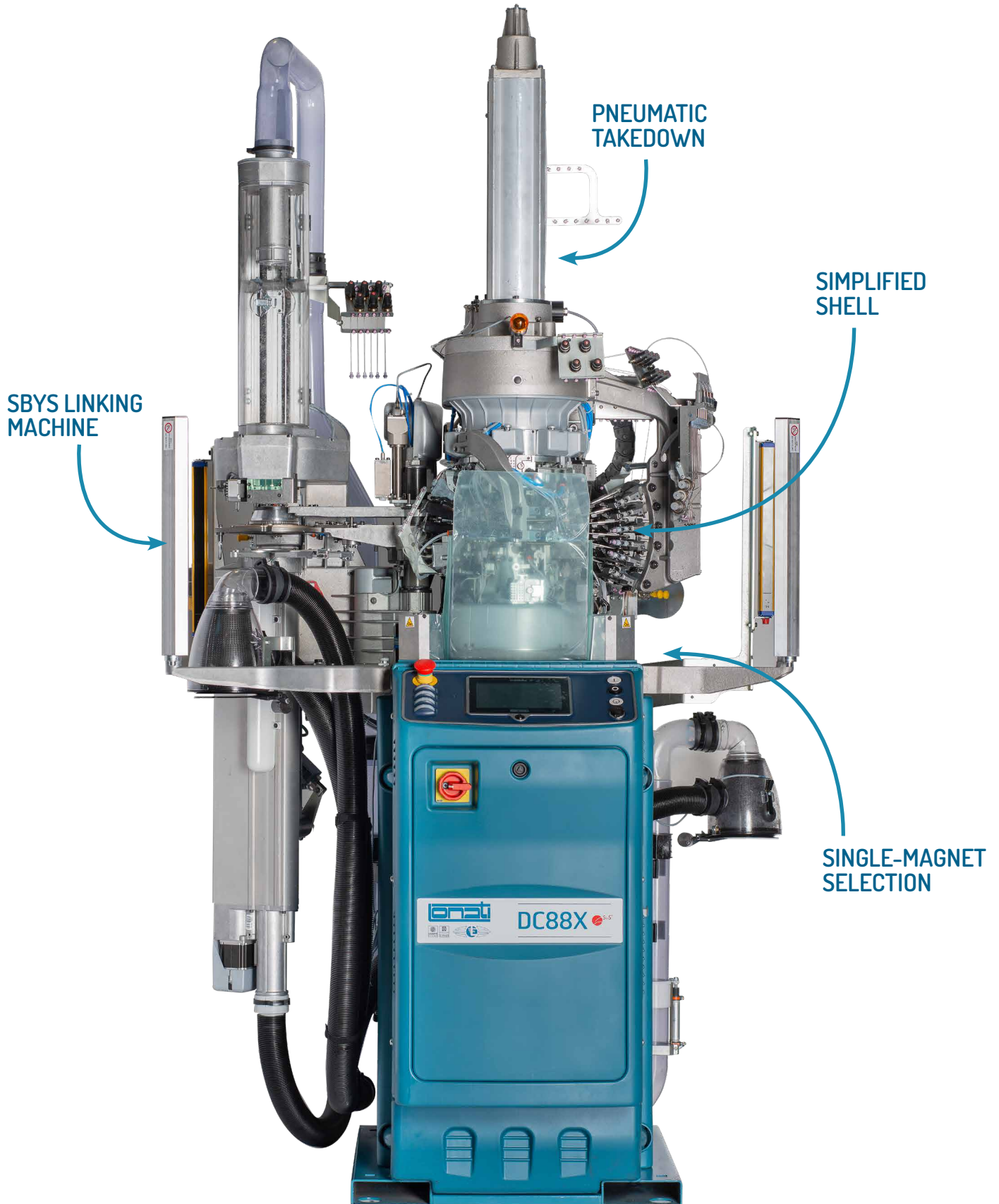


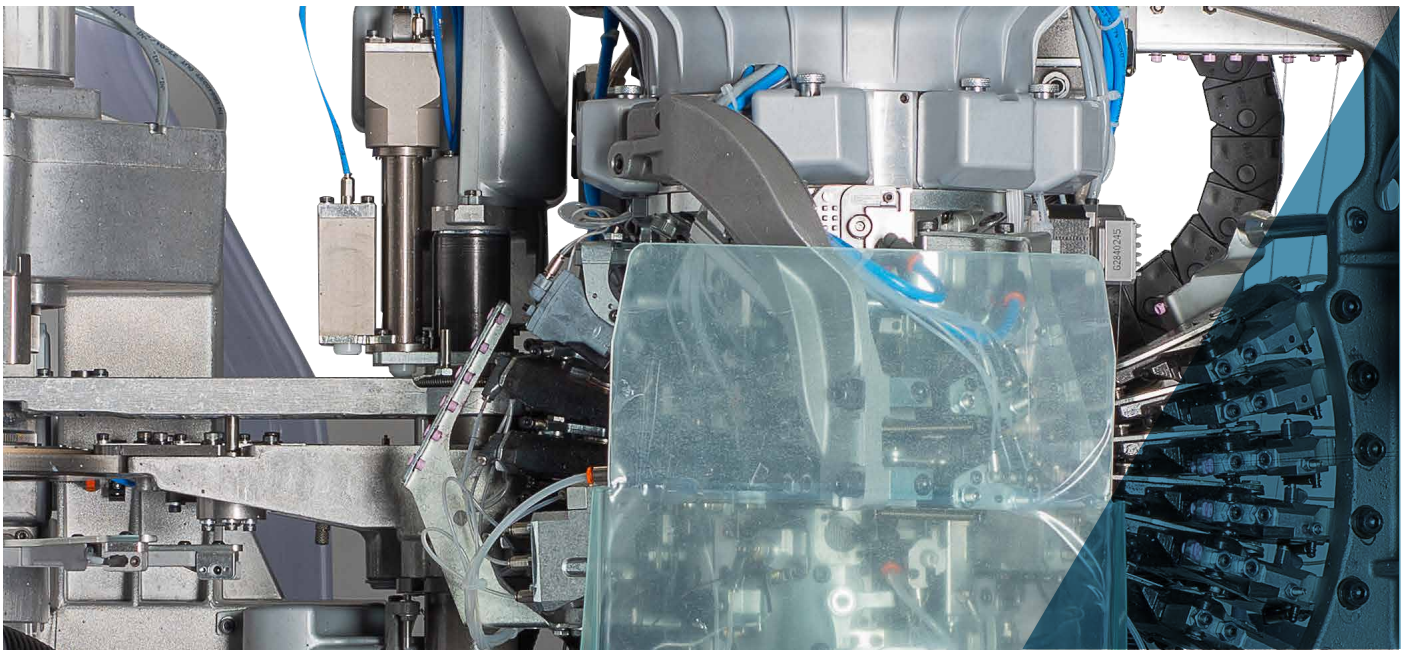
**DC88X**  
**DOUBLE CYLINDER**  
**E134HX - E144HX - E154HX**



# DOUBLE CYLINDER

E134HX - E144HX - E154HX





All images in this brochure are indicative and not binding.

## DOUBLE CYLINDER

### E134HX - E144HX - E154HX

Double cylinder 3 feeds machine for the production of men's, women's and children's socks in ribs, plain knit, links and links jacquard. Needle-needle single-magnet actuator selection for several rib, Links and Links Jacquard patterns. Brushless motor incorporated in the column with variable heel and toe reciprocating motion. 2 selection points instead of pickers and needle droppers. Automatic toe linking with Lonati SbyS device. Articles, sizes and knit designs are programmable by using a Personal Computer and the powerful Software Digraph 3+ package. Graphic display keyboard for the selection of articles and additional operations. Possibility of connection to the NAUTILUS for the production data detection and for a real-time monitoring of the knitting room. Available in 3" 1/2, 3" 3/4 and 4" diameters and gauge from 9 to 22. SbyS linking machine with different needle thickness according to machine gauge.

- Needle-needle single-magnet actuator selection instead of pickers and needle droppers and links drums for several rib, Links and Links Jacquard patterns
- Toe linking performed by LONATI SbyS linking machine
- Easier sinkers maintenance thanks to the rotating knitting head in standby position
- Sticth cams with independent stepper motors
- LONATI take-down equipped with encoder for fabric drop and size control
- Simplified shell

#### MACHINE DIMENSIONS



Length 116 cm + yarn creel 6 cm  
Depth 104 cm + yarn creel 69 cm  
Height 226 cm + yarn creel 34 cm

#### MACHINE WEIGHT



Machine ca. 460 Kg  
Yarn creel ca. 30 Kg

#### NOTE:

All data relating to outer appearance, performance, dimensions and weight are just as an indication.

# DOUBLE CYLINDER

E134HX - E144HX - E154HX

## TECHNICAL DATA

MODEL	CYLINDER DIAMETER	GAUGE	NEEDLE THICKNESS
E134HX	3"1/2	from 9 to 22	0.5 - 0.6 - 0.7 mm
E144HX	3"3/4	from 9 to 22	0.5 - 0.6 - 0.7 mm
E154HX	4"	from 9 to 22	0.5 - 0.6 - 0.7 mm

Above data are indicative and not binding.

## STANDARD DEVICES

- Single-magnet actuator electronic selection system;
- Multi-stiffening by means of stepper motor;
- High heel;
- Sinker cap with internal lubrication;
- 6 pneumatic yarnfingers on first feed, 2 on second and third feed;
- Suction valve controlled with stepper motor;
- USB port;
- Yarn-rack;
- SbyS sewing device

## MAIN OPTIONAL DEVICES

- LGL ECO POWER feeders
- Dinema YoYo positive feeder
- Dinema ISPY yarn-sliding sensors
- Cassefils mechanical sensors
- Anti-pulling sensors
- Ethernet board
- Shadow rib
- Suction fan
- Mechanical take-down (for needle thickness 0.6 and 0.7mm only)

## SUITABLE YARNS

The machine is designed to be used with the following yarns:

- Natural fibers
- Synthetic yarn
- Elastic yarn

## POSSIBLE KNITTING

The standard machine can perform the following knittings

- Plain knit
- Rib
- Links
- Links Jacquard
- 1st feed tuck stitch
- Open work (optional)
- Shadow rib (optional)

# DOUBLE CYLINDER

## E134HX - E144HX - E154HX

### NUMBER OF COLORS

Number of colors	In jacquard 2 colors on the same course Up to 5 colors on first feed Up to 2 colors on second feed Up to 2 colors on third feed
------------------	--

### PERFORMANCES

		4" CYLINDER DIAMETER
GAUGE		14 (needle thickness 0,7 mm)
KNITTING FEATURES		LINKS = 250 Rpm
		Rib and plain mesh = 260 Rpm
		Reciprocated motion = 260 Rpm
		Tuck stitch = 200 Rpm
		Float stitch reciprocated motion 240 rpm
		Jacquard = 240 Rpm
	Links Jacquard = 240	

Above data are indicative and not binding.

### GAUGE

		GAUGE															
Model	ø	6	7	8	9	10	11	12	13	14	15	16	17	18	20	22	
134HX	3"1/2				96 100 104	108 112	116 120 124	128 132 136	140 144 148	152 156	160 164 168	172 176 180	184 188 192	196 200	216 220 224	240	
		Needle thickness 0.7															
		Needle thickness 0.6															
		Needle thickness 0.5															

		GAUGE															
Model	ø	6	7	8	9	10	11	12	13	14	15	16	17	18	20	22	
144HX	3"3/4				104 108	112 116 120	124 128 132	136 140 144	148 152 156	160 164 168	172 176 180	184 188 192	196 200 204	208 212 216	232 236 240		
		Needle thickness 0.7															
		Needle thickness 0.6															
		Needle thickness 0.5															

		GAUGE															
Model	ø	6	7	8	9	10	11	12	13	14	15	16	17	18	20	22	
154HX	4"				108 112 116	120 124 128	132 136 140 144	148 152 156	160 164 168	172 176 180	184 188 192	196 200 204	208 212 216	220 224 228 232	248 252 256		
		Needle thickness 0.7															
		Needle thickness 0.6															
		Needle thickness 0.5															

Above data are indicative and not binding.

#### DISCLAIMER:

For gauges lower or higher than those in the chart, their maximum speed must be reduced by 10-15%.  
Should you use staple fiber, maximum speed has to be detected each time according to the yarn and the item to be produced. For jacquard and Links jacquard, maximum speed has to be detected each time according to the pattern.

# DOUBLE CYLINDER

E134HX - E144HX - E154HX

## NOISE LEVEL

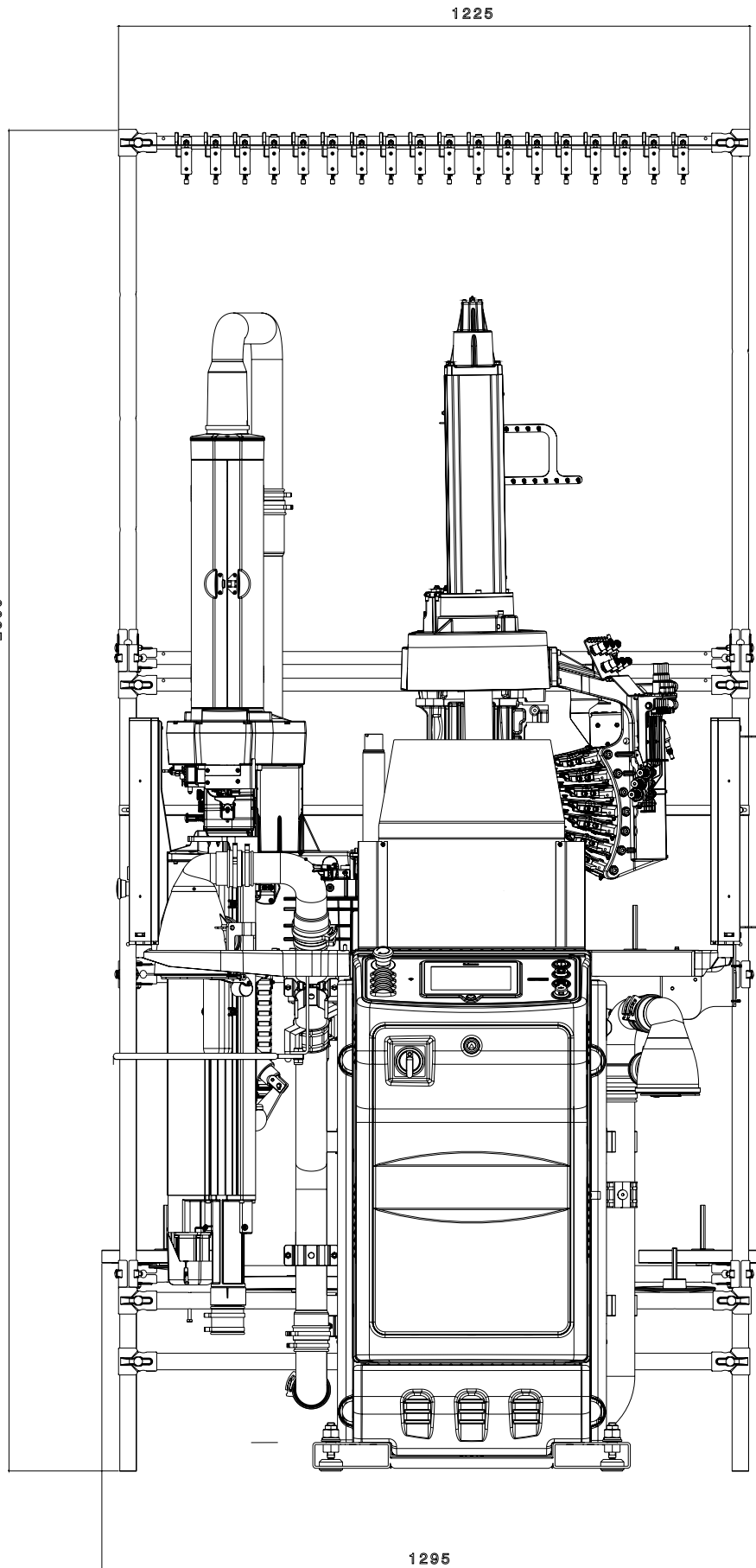
Machine average noise level, suction included ND

## LUBRICANTS

Average consumption for 100 dozens= 330 gr. Lonati recommends: Kluber Madol 183 Supreme - Fuchs Renolin Trax 16 C

## GREASE

For seals, bearing etc Lonati recommends: Damping grease Nyogel 774F



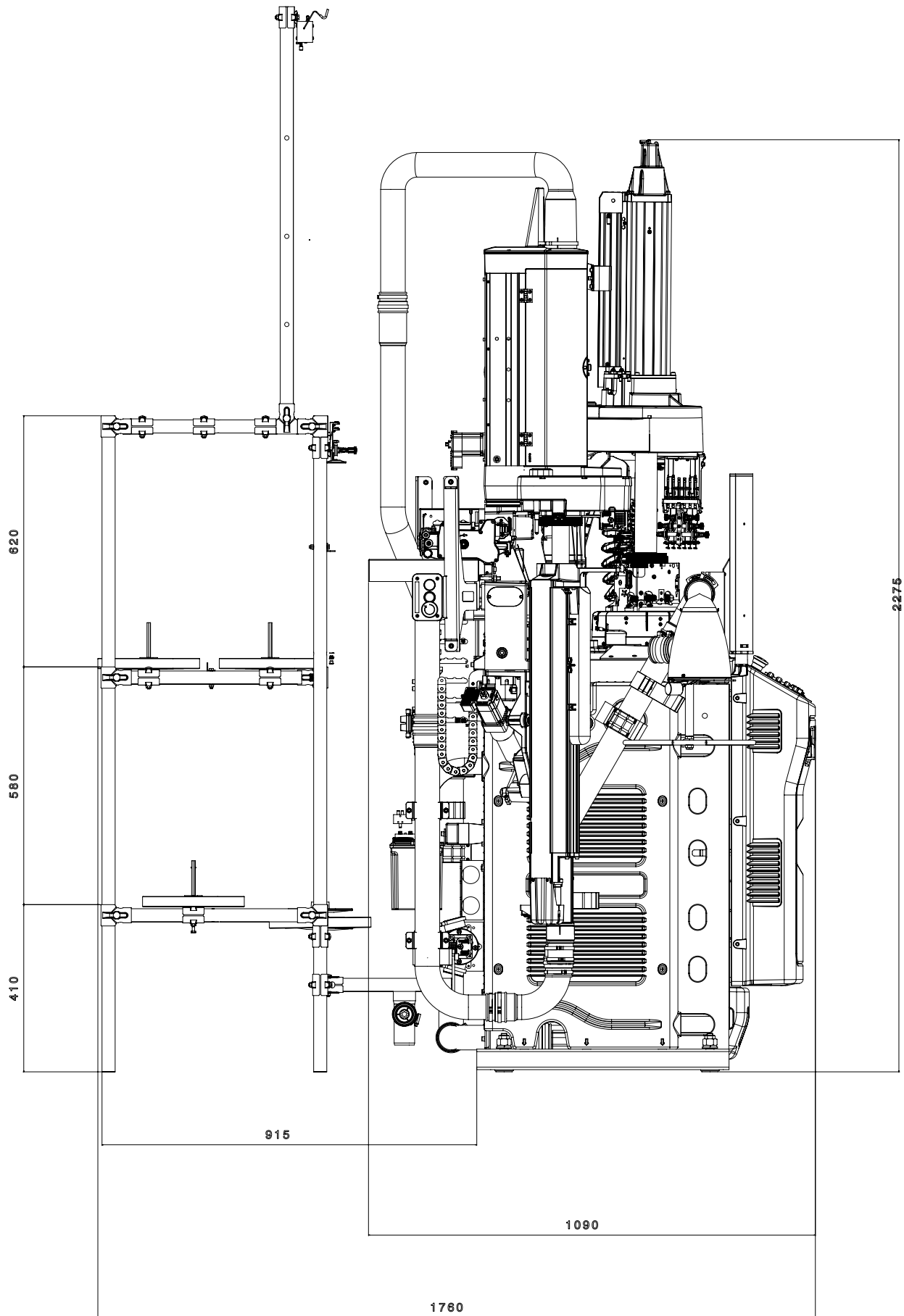
**FRONT VIEW**

Machine dimensions + 16 positions yarn creel.

**NOTE:**

The picture may show fittings and equipment that are supplied on demand and not.





#### SIDE VIEW

Machine dimensions + 16 positions yarn creel.

#### NOTE:

The picture may show fittings and equipment that are supplied on demand and not.







LONATI SPA

Via Francesco Lonati, 3 | 25124 Brescia (Italy)

Tel. +39 03023901 | Fax +39 030 2310024

C.F.: 01469680175 | P.iva: 02096730961

info@lonati.com - www.lonati.com